

Door blank with Oak veneer / 55 mm stiles and rails / 9 mm SBD

Facing: 1,5 mm Oak veneer on cross banded plywood with 0,3 mm aluminium
Stiles: 55 mm finger joint oak timber
Rails: 55 mm finger joint oak timber
Core: Polystyrene insulation + 2x9 mm plywood SBD

U-Value:

| U-Value - W/m²K | | | | | | | | | |
|-----------------|-------|-------|-------|--|--|--|--|--|--|
| 54 mm | 58 mm | 60 mm | 68 mm | | | | | | |
| 1,21 | 1,12 | 1,08 | 0,94 | | | | | | |

Heat conductivity is calculated on the basis of the practical heat conductivity of each included material - taken from data sheets and DS418:2011

Weight:

| Weight appr. Kg./m² | | | | | | | | | |
|---------------------|-------|-------|-------|--|--|--|--|--|--|
| 54 mm | 58 mm | 60 mm | 68 mm | | | | | | |
| 21,5 | 22,0 | 22,3 | 23,4 | | | | | | |

Size 1000 x 2000 mm.

Performance:

| | Classification standards | Performance |
|---------------------|---|-------------|
| Operating Forces | EN12217 | Class 5 |
| Climatic Influences | EN12219 | Class 2 |
| Security | EN1627 / EN1628-30 | N/A |
| Sound | EN10140-2 | 22 dB |
| Fire | EN13501-2 / EN1634-1 | N/A |
| FSC Certified | FSC-STD-40-004 V2-1/FSC-STD-50-001 V1-2 | N/A |

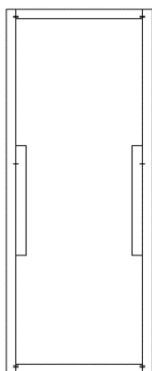
General tests has been carried out on a 68 mm. door blank with chen-chen veneer.
 Sound tests has been carried out on a 60 mm. door blank with chen-chen veneer.
 Size 1000 x 2100 mm. Stiles and rails 55 mm.

Measure: Min.: 250 x 450 mm - Max.: 1200 x 2400 mm

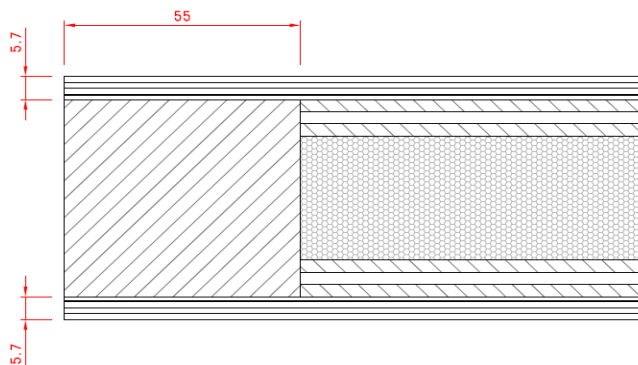
Tolerances:

Door blank: Width/Height: +/- 1 mm - Diagonal: +/- 2 mm - Thickness: +/- 0,8 mm
 Facing: Measurements on facing is before final sanding
 Stiles and rails: Width: +/- 2 mm
 Core: Inserts: +/- 1 mm on plywood

Elevation and section drawing:



Stiles and rails: Front perspective



| | | |
|---------------------|-----------------|------------|
| Made: 28.06.2021 | Data sheet: CRS | Draw.: CRS |
| Revised: 16.02.2026 | Data sheet: OLN | Draw.: CRS |