

Door blank with HDF / 55 mm stiles and rails / 9 mm SBD

Facing: 4,0 mm HDF on veneer with 0,3 mm aluminium
Stiles: 55 mm finger joint pine timber
Rails: 55 mm finger joint pine timber
Core: Polystyrene insulation + 2x9 mm plywood SBD

U-Value:

U-Value - W/m ² K									
60 mm	68 mm	73 mm	78 mm	80 mm					
1,08	0,92	0,85	0,78	0,76					

Heat conductivity is calculated on the basis of the practical heat conductivity of each included material - taken from data sheets and DS418:2011

Weight:

Weight appr. Kg./m ²									
60 mm	68 mm	73 mm	78 mm	80 mm					
23,6	24,5	25,1	25,7	25,9					

Size 1000 x 2000 mm.

Performance:

	Classification standards	Performance
Operating Forces	EN12217	Class 5
Climatic Influences	EN12219	Class 2
Security	EN1627 / EN1628-30	N/A
Sound	EN10140-2	22 dB
Fire	EN13501-2 / EN1634-1	N/A
FSC Certified	FSC-STD-40-004 V2-1/FSC-STD-50-001 V1-2	N/A

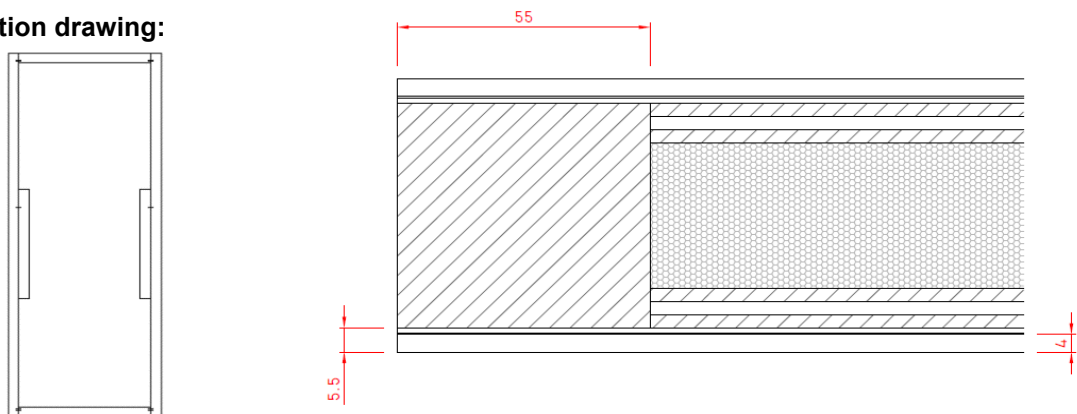
General tests has been carried out on a 68 mm. door blank with chen-chen veneer.
 Sound tests has been carried out on a 60 mm. door blank with chen-chen veneer.
 Size 1000 x 2100 mm. Stiles and rails 55 mm.

Measure: Min.: 250 x 450 mm - Max.: 1200 x 2400 mm

Tolerances:

Door blank: Width/Height: +/- 1 mm - Diagonal: +/- 2 mm - Thickness: +/- 0,8 mm
 Facing: Measurements on facing is before final sanding
 Stiles and rails: Width: +/- 2 mm
 Core: Inserts: +/- 1 mm on plywood

Elevation and section drawing:



Stiles and rails: Front perspective

Made: 03.11.2016	Data sheet: CRS	Draw.: HMN
Revised: 16.02.2026	Data sheet: OLN	Draw.: CRS