

## Door blank with Chen-Chen veneer / 55 mm stiles and rails / 9 mm SBD

**Facing:** 1,5 mm Chen-Chen veneer on cross banded plywood with 0,3 mm aluminium  
**Stiles:** 55 mm finger joint pine timber  
**Rails:** 55 mm finger joint pine timber  
**Core:** Polystyrene insulation + 2x9 mm plywood SBD

**U-Value:**

U-Value - W/m²K							
58 mm	60 mm	68 mm	74 mm	78 mm	80 mm		
1,04	1,00	0,86	0,79	0,74	0,72		

Heat conductivity is calculated on the basis of the practical heat conductivity of each included material - taken from data sheets and DS418:2011

**Weight:**

Weight appr. Kg./m²							
58 mm	60 mm	68 mm	74 mm	78 mm	80 mm		
19,7	19,9	20,8	21,5	22,0	22,2		

Size 1000 x 2000 mm.

**Performance:**

	Classification standards	Performance
Operating Forces	EN12217	Class 5
Climatic Influences	EN12219	Class 2
Security	EN1627 / EN1628-30	N/A
Sound	EN10140-2	22 dB
Fire	EN13501-2 / EN1634-1	N/A
FSC Certified	FSC-STD-40-004 V2-1/FSC-STD-50-001 V1-2	N/A

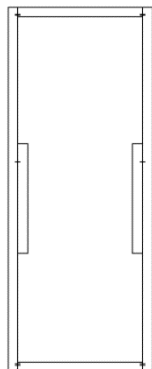
General tests has been carried out on a 68 mm. door blank with chen-chen veneer.  
 Sound tests has been carried out on a 60 mm. door blank with chen-chen veneer.  
 Size 1000 x 2100 mm. Stiles and rails 55 mm.

**Measure:** Min.: 250 x 450 mm - Max.: 1200 x 2400 mm

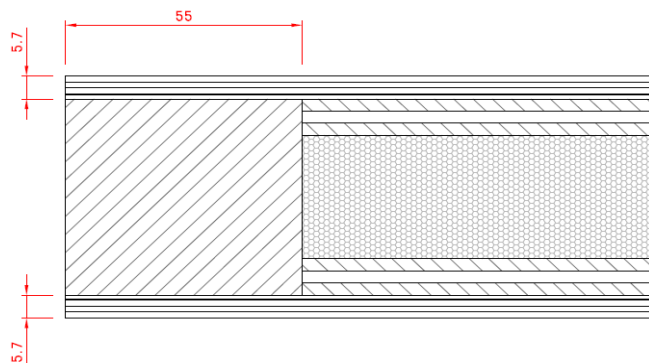
**Tolerances:**

Door blank: Width/Height: +/- 1 mm - Diagonal: +/- 2 mm - Thickness: +/- 0,8 mm  
 Facing: Measurements on facing is before final sanding  
 Stiles and rails: Width: +/- 2 mm  
 Core: Inserts: +/- 1 mm on plywood

**Elevation and section drawing:**



Stiles and rails: Front perspective



Made: 05.03.2014	Data sheet: PMN	Draw.: HMN
Revised: 16.02.2026	Data sheet: OLN	Draw.: CRS