

Door blank with Chen-Chen veneer - 110 mm stiles and rails - Combined with a composite profile on the vertical sides of the door.

Construction:

- 1,5 mm Chen-Chen veneer
- 1,5 mm cross grain veneer
- 1,5 mm long grain veneer
- 0,3 mm Aluminium - moisture barrier - stabilizer
- 1,5 mm long grain inner veneer
- Insulation - Polystyrene
- 1,5 mm long grain inner veneer
- 0,3 mm Aluminium - moisture barrier - stabilizer
- 1,5 mm long grain veneer
- 1,5 mm cross grain veneer
- 1,5 mm Chen-Chen veneer

U-Value:	U-Value - W/m²K
	68 mm
	0,98 (calculated, not tested)

Size 1000 mm x 2000 mm
Heat conductivity is calculated on the basis of the practical heat conductivity of each included material - taken from data sheets and DS418, version 6, 2002. Also relating to EN 12524.

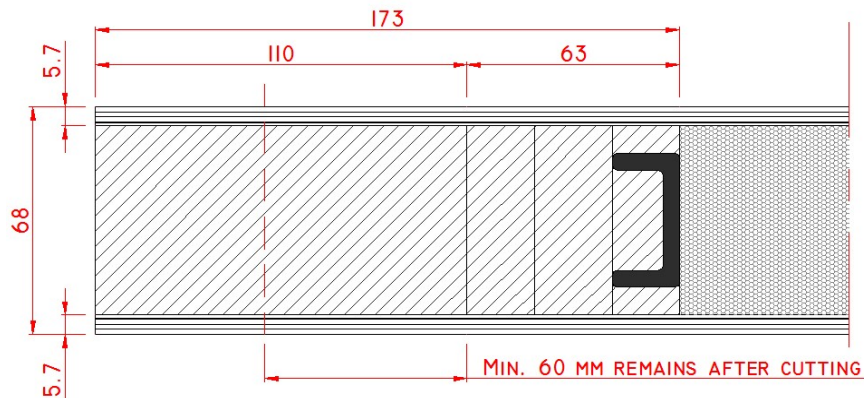
Weight:	Weight apprx. Kg./m²
	68 mm
	20,4 (calculated, not tested)

Size 1000 mm x 2000 mm

Measure: Min.: 250 x 450 mm - Max.: 1200 x 2400 mm

Tolerances: Width/Height: +/- 1 mm - Diagonal: +/- 2 mm - Thickness: +/- 0,8 mm

Section drawing:



Made: 18.01.2019	Data sheet: CRS	Draw.: CRS
Revised: 20.09.2019	Data sheet:	Draw.:

O.H.Industri A/S
Smedevej 17
DK - 7430 Ikast
+45 9725 1200
www.ohindustri.com