

Door blank with Chen-Chen veneer - 55 mm stiles and rails

Facing:	1,5 mm Chen-Chen veneer on cross banded plywood with 0,3 mm aluminum.
Stiles:	55 mm finger joint pine timber
Rails:	55 mm finger joint pine timber
Core:	Polystyrene insulation

U-Value:

U-Value - W/m ² K						
44 mm	54 mm	58 mm	60 mm	68 mm	78 mm	80 mm
1,02	0,84	0,78	0,76	0,68	0,61	0,60

Heat conductivity is calculated on the basis of the practical heat conductivity of each included material - taken from data sheets and DS418:2011

Weight:

Weight appr. Kg./m ²						
44 mm	54 mm	58 mm	60 mm	68 mm	78 mm	80 mm
11,0	12,0	12,4	12,6	13,4	14,5	14,7

Size 1000 x 2000 mm.

Performance:

	Classification standards	Performance
Operating Forces	EN12217	Class 5
Climatic Influences	EN12219	Class 3
Security	EN1627 / EN1628-30	N/A
Sound	EN10140-2	22 dB
Fire	EN13501-2 / EN1634-1	N/A
FSC Certified	FSC-STD-40-004 V2-1/FSC-STD-50-001 V1-2	N/A

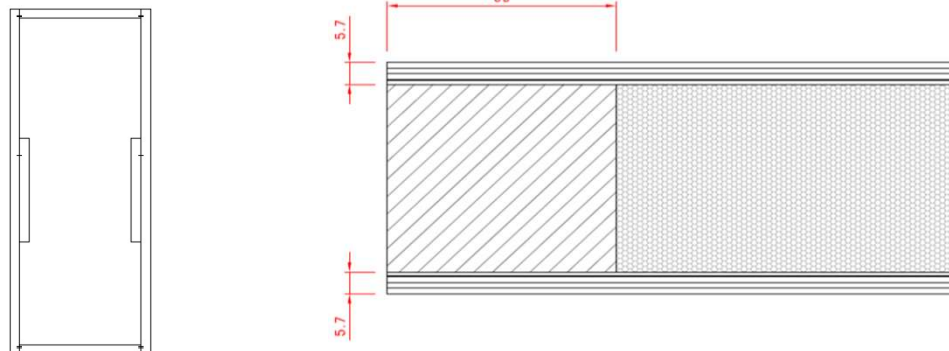
General tests has been carried out on a 68 mm. door blank with chen-chen veneer.
Sound tests has been carried out on a 60 mm. door blank with chen-chen veneer.
Size 1000 x 2100 mm. Stiles and rails 55 mm.

Measure: Min.: 250 x 450 mm - Max.: 1200 x 2400 mm

Tolerances:

Door blank:	Width/Height: +/- 1 mm - Diagonal: +/- 2 mm - Thickness: +/- 0,8 mm
Facing:	Measurements on facing is before final sanding
Stiles and rails:	Width: +/- 2 mm
Core:	Inserts: +/- 1 mm on plywood

Elevation and section drawing:



Stiles and rails: Front perspective

Made: 05.03.2014	Data sheet: PMN	Draw.: HMN
Revised: 11.05.2020	Data sheet: CRS	Draw.: CRS